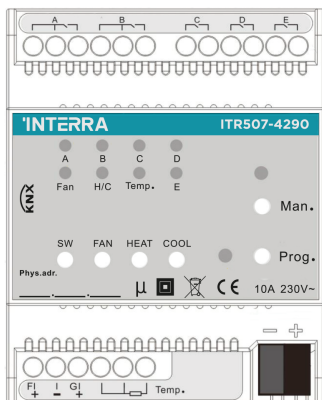


KNX Fan Coil Actuator



Product Code	ITR507-4290
Power Supply	21-30 V DC, KNX Power Supply
Current Consumption	<15 mA
Power Consumption	<450 mW
Output Voltage	1-10 V DC (passive), max. 1.5 mA per output
Output Switch Current	10 A / 105 µF @ 250 V AC
Cable Distance	Max. 2 M
Buttons & LEDs	1 x Man./Auto operation Button 1 x Programming Button 1 x Programming LED
Type of Protection	IP 20
Temperature Range	Operation (-5°C...45°C) Storage (-25°C...55°C)
Maximum Air Humidity	< 90 RH
Colour	Light Grey
Dimensions	72 x 90 x 64 mm (H x W x D)
Certification	KNX Certified
Configuration	Configuration with ETS

FUNCTIONS

The fan speed control:

- Up to three level fan speed can be controlled and status response.
- Auto. Operation and limitation function
- Forced operation
- Behavior operation for bus failure and bus recovery 15 scenes can be configured.

HVAC control:

- The 2-pipe system or 4-pipe system can be controlled by 2 state-ON/OFF valve or Continuous PWM valve
- Local or bus to control valve, also response the valve position status
- HVAC mode can be set to standby mode, comfort mode, night mode and protect mode when the valve is controlled via local, and HVAC mode status response
- Local temperature measure via input external PT1000 sensor
- Scene function

Interface output:

- The relays can be used as switch output when it is not used to control the fan speed or valve.
- Switch output of special functions : time, logic, scene, force, operation hours counter .
- 2 channels of 0-10V output can be used for fan or valve control

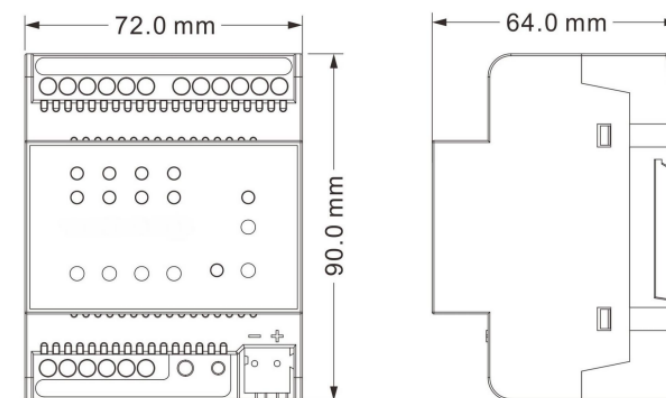
INSTALLATION STEPS

- Labelling for AC power wires, loads wires and KNX Bus wire.
- Mount the device on a DIN rail of DB.
- Connect wires for loads and AC power.
- Make sure there is no circuit short or open.
- Connect KNX cables. Make sure the color is correct.
- Tidy the all Wire and separate KNX wire from AC power wire.

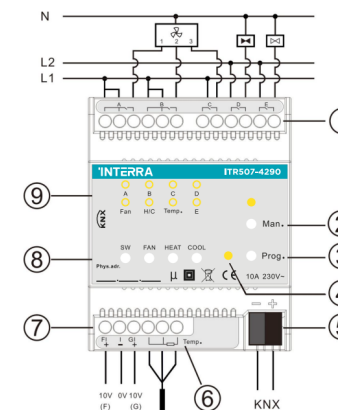
SAFETY PRECAUTIONS & IMPORTANT NOTES

- The device may only be installed and put into operation by a qualified electrician or authorized personnel.
- Installation only in dry locations and on a 35 mm DIN rail (TH 35).
- Do not operate the device outside the specified technical data (e.g. temperature range)!

DIMENSIONS



LAYOUTS AND WIRINGS



1. 5 fold relay outputs
2. Man./Auto. operation switch button
3. Programming button
4. Programming LED
5. KNX bus connection terminal
6. three-wires PT1000 temperature sensor
7. 0-10V outputs
8. Operate buttons. From left to right: Switch control, Fan speed, Heating, Cooling.

DS2405160185BEN