

iX4 4" KNX Touch Panel



Product Code	ITR330-XXXX
Power Supply	12~30 V DC 2W External Power Supply
KNX Bus Current	3mA (Only for communication)
Push Buttons	1 x KNX Programming Button
Sensors	Temperature sensor (±0.2°C sens.) Humidity sensor (±2 %RH sens.) Air Quality Sensor (0-500 VOC Index) Brightness Sensor (Up to 1800 Lux.) Proximity sensor (Up to 300 mm)
Interfaces	IPS Touch Screen
Commissioning Mode	S-Mode
Type of Protection	IP 20
Temperature Range	Operation (-5°C...45°C) Storage (-20°C...60°C)
Maximum Air Humidity	< 90 RH
Colour	White, Black
Dimensions	84 x 100 x 8.6 mm (W x H x D)
Certification	KNX Certified
Configuration	Configuration with ETS

DESCRIPTION

Interra iX4 is a wall-mounting room controller device with an integrated temperature, humidity, brightness, proximity and air quality sensor. iX4 can have integrated Wi-Fi and Bluetooth features. iX4 can be easily and clearly operated through the friendly interaction interface. The iX4 can control heating and cooling operating modes with 2-points, Continuous and PWM thermostat functions. Air conditioner control is available on iX4 and can control AC gateway devices. iX4 has fully touchable LCD screen with IPS-display technology which provides low energy cost and good view angle. The device provides an adjustable LCD backlight for user comfort. The product range has 8 different models with AQI, without AQI, with Wi-Fi/Bluetooth and without Wi-Fi/Bluetooth. iX4 is supported up to 13 languages such as Turkish, English, German, Russian, Arabic, French, Greek, Italian, Persian, Spanish, Brazilian, Dutch and Polish. All models can be programmable with the same ETS database, which provides efficient commissioning.

MODELS AND VARIATIONS

ITR330 - X₁ X₂ X₃ X₄

X₁: Wi-Fi/AQI Status **X₃**: Case Colour

X₂: Reserved **X₄**: Glass Colour

X ₁	0	1	2	3
Wi-Fi	x	✓	x	✓
AQI	x	x	✓	✓

X₃ : Case Colours

1	Black	3	Gold	5	Bronze
2	White	4	Rose Gold	6	Silver

X₄ : Glass Colours

1	Black
2	White

WARNING!

Wi-Fi and Bluetooth features are under development. Not available for sale.

MAIN FUNCTIONAL CHARACTERISTICS

- Up to 128 functions can be controlled separately.
- Up to 20 functions pages that can be controlled different functions.
- Switching, toggle, dimming, shutter/blinds controls, predetermined scenes by users, value functions that can send presented values, 2 channels control functions, step switching, music control and thermostat extension features are available.
- It can measure with integrated temperature, humidity, brightness, proximity and air quality (depending on the model) sensors.
- Configurable and programmable external inputs as analog or digital over ETS.
- Scenes from 1 to 64 can be specified and these scenes can be implemented by request.
- Room temperature regulation can be done with 2 – Points (Hysteresis), PWM or Continuous PI control options.
- Operating modes: comfort, standby, economy and protection.
- Automatic switching between operating modes via the weekly program.
- Enhanced and extended air conditioner control functions.
- Enhanced and extended touchable LCD screen functions. The user can be configured the function pages.
- Thermostat control, AC control, Music system control, RGB or RGBW control, Dimming control, Dimming Tunable White control and Shutter/Blinds/Jalousie control etc. can be controlled on function pages specially designed for these functions.
- Home-page navigation function.
- Meter information page, sensor information page and weather information page are available. The users can track the up to 8 sensor values, up to 8 energy metering values and weekly weather information.
- Timer and alarm functions are available. The users can set the timer for specific time and after the time is up, a communication object can be sent the bus. The users can set the alarm for specific time and after the time is up, selected alarm tone is played. The timers and alarms can be turned on or off via the device.
- Password screen is available. Up to 4 passwords can be set.
- Screen saver function is available. The users can set the screen saver. The screen saver can be analog or digital clock. Additionally screen saver can decrease or off the backlight for energy saving.
- The users can change the screen theme via the device. Dark and light themes are supported.
- The users can change the system language via the device.
- Display time, date, temperature and humidity.
- Proximity sensor, adjustment of screen brightness, colourful strip, vibration feedback when touch.
- Logic and converter functions, AND, OR, XOR, gate forwarding, threshold comparator and conversion of different data point types.

LCD DISPLAY

iX4 has fully capacitive touch LCD screen with IPS-display technology and 480x480 resolution for 4 inches.

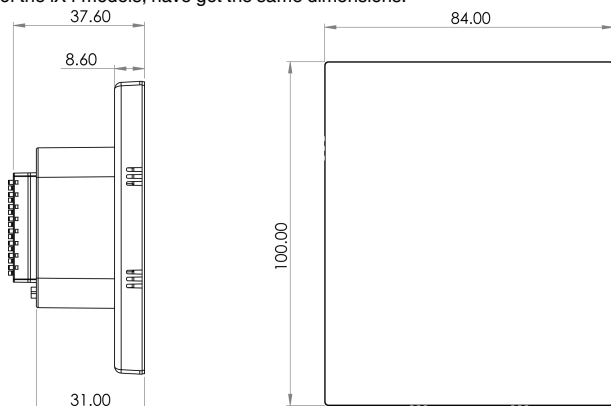
LCD backlight can be automatically switch down while not using the device or changeable from the bus or manually via the device.

All functions can be controlled over fully touchable LCD screen. All functions have their own screen and the users can configure the screen over ETS database.

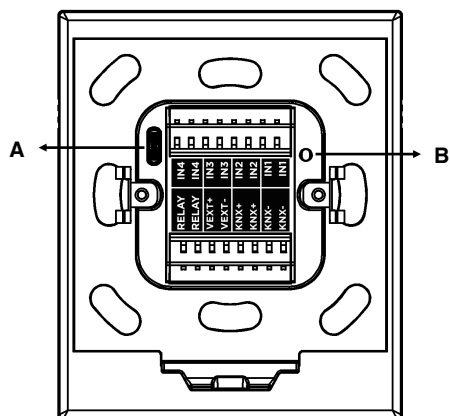
Icon	Meaning	Icon	Meaning
General			
	Auto/Manual Brightness		Clean Mode
	Lock On		Lock Off
	Mute		Unmute
	Settings		Brightness Error
	Thermostat Error		Humidity Error
	AQI Error		Proximity Error
	KNX Connection Error		
Room Controller (Thermostat & Air Conditioner)			
	Comfort Mode		Standby Mode
	Economy Mode		Protection Mode
	Auto Mode		Cool Mode
	Heat Mode		Heat/Cool Manual
	Heat/Cool Auto		AC Error
	AC Auto Mode		Dehumidify
	Fan Speed Auto		Fan Speed Manual
	Swing Moving Vertical		Swing Moving Horizontal
	Swing Fix Vertical		Swing Fix Horizontal
Music Controller			
	USB		SD Card
	Aux		FM Radio
	Normal		Shuffle
	Loop		Single Loop

DIMENSIONS (mm)

All of the iX4 models, have got the same dimensions.



CONNECTION DIAGRAM



A	USB Port
B	KNX Programming Button

SAFETY INSTRUCTIONS

- All Installations should only be performed by qualified personnel following applicable regulations on preventing accidents, as required by law.
- Do not connect the main voltage (230 V AC) or any other external voltages to any point of the KNX bus.
- Connecting an external voltage might put the KNX system at risk.
- Ensure that there is enough insulation between the 230 V AC voltage cables and the KNX bus.
- Do not expose this device to direct sunlight, rain or high humidity.
- Clean the product with a clean, soft, damp cloth.
- Do not use aerosol sprays, solvents or abrasives that might damage the device.
- Screw down strength is 1 Nm.

MARKS

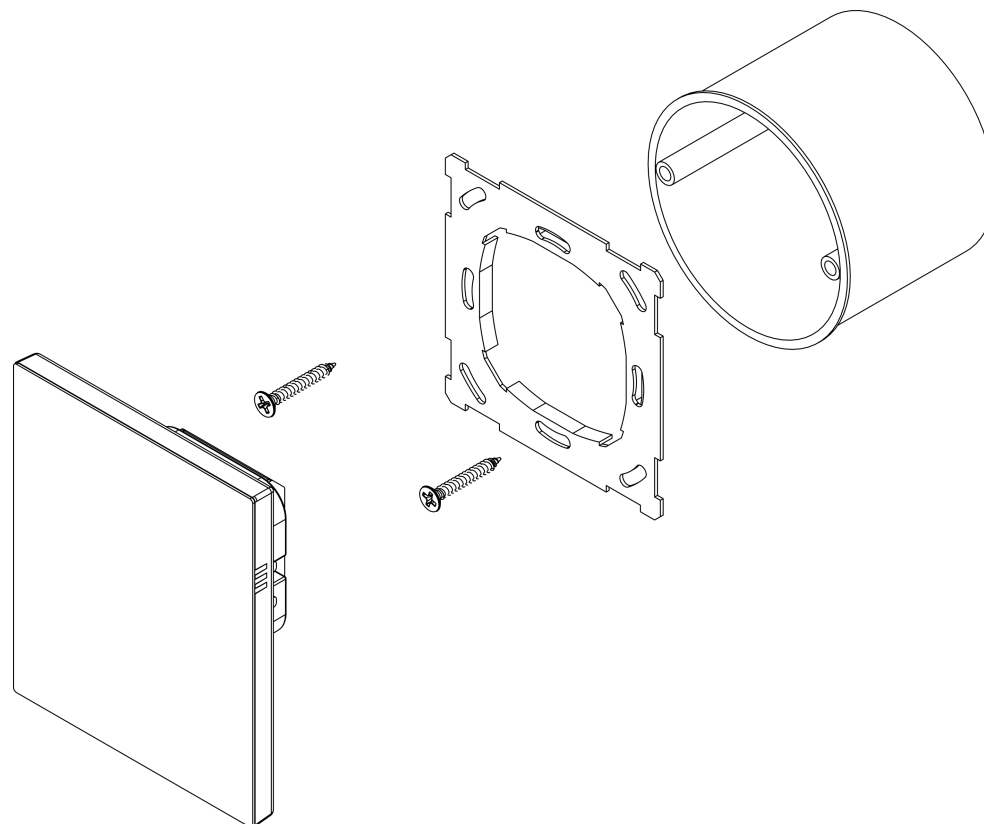
CE: The device complies with Electromagnetic Compatibility Directive (2014/30/EU), Low Voltage Directive (2014/35/EU) and Restricting the Use of Hazardous Substances Directive (2011/65/EU).

Tests carried out according to,

EN 55032, EN 55035, EN 61000-4-3, EN IEC 62368-1, EN IEC 63044-3 and EN IEC 63044-5-2 standards.

MOUNTING

The iX4's mounting steps are described below.



Mounting

The device is suitable for use in dry interior rooms and can only be mounted on a standard-sized round or square wall flush mounting box. The iX4 should be mounted after the wall painting process is finished. Otherwise, the product's cosmetics may be damaged. The mounting steps are shown below.

- Check the mounting box, and whether is done properly
- Insert the metal frame of the iX4 into the wall flush mount.
- Connect the KNX cable, Power cable and other cables (optional) to respective terminals.
- Finally, insert the iX4 into the metal frame.