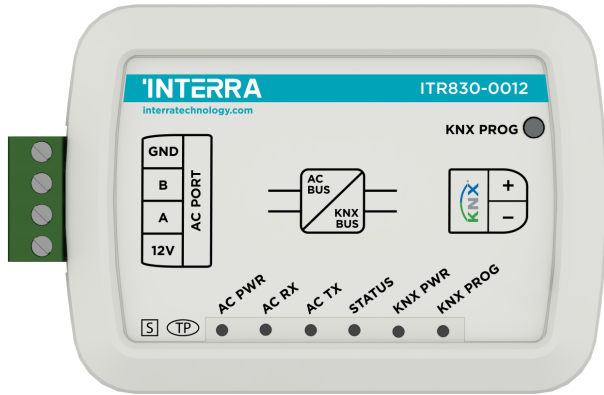


Gree SPLIT AC - KNX Gateway



Product Code	ITR830-0012
Power Supply	KNX Power Supply
Current Consumption	5 mA
Push Buttons	1 x KNX Programming Button
LED Indicators	1 x KNX Programming LED
Type of Protection	IP 20
Cable Distance	Max 150 m
Mode of Commissioning	S-Mode
Maximum Air Humidity	< 90 RH
Temperature Range	Operation (-10°C...70°C) Storage (-25°C...100°C)
Colour	Light Grey
Dimensions	88 x 62 x 27 mm (W x H x D)
Certification	KNX Certified
Configuration	Configuration with ETS

DESCRIPTION

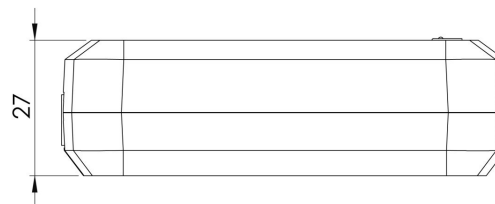
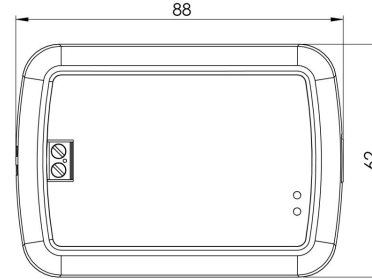
ITR830-0012 is an air conditioner gateway used for monitoring and controlling all the functioning parameters of Gree air conditioners via the KNX bus line. Gree Split AC - KNX Gateway is compatible with models in split types categorized on the compatibility list published by Interra.

Gree split AC - KNX Gateway has an easy installation feature and can be installed inside the own AC indoor unit or a proper location away from the air conditioner, it connects one side directly to the electronic circuit of the AC indoor unit and in the other side directly to the KNX bus.

Note: Existing commands may vary according to indoor unit model. Please refer to relevant technical documents.

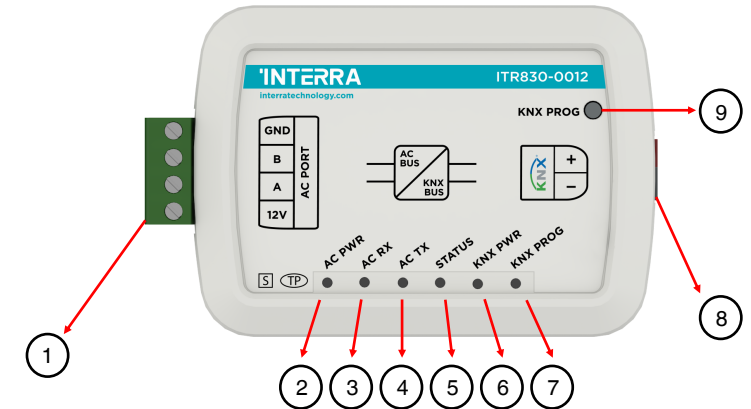
DIMENSIONS & CONNECTION DIAGRAM

- All values given in the device dimensions are millimetres.



FUNCTIONS

- ITR830-0012 device provides complete bi-directional integration of split type air conditioners with KNX bus.
- Includes 4 logical advanced parameters, each logical parameter have up to 4 inputs and can be configured as AND, OR & XOR.
- Includes 8 advanced converter parameters, each converter has four operations math calculations according to input type.
- Logic and converter parameters can be used for energy savings, configurable scenes, temperature limits etc.
- The Gree air conditioner unit provides error notifications for errors that may occur in exceptional cases.



- | | |
|------------------------------|---------------------------|
| 1. AC Indoor Unit Connection | 6. KNX Power LED |
| 2. AC Power LED | 7. KNX Programming LED |
| 3. AC Receive Signal LED | 8. KNX Connector |
| 4. AC Transmit Signal LED | 9. KNX Programming Button |
| 5. Status LED | |

Gateway - Single Indoor Unit:

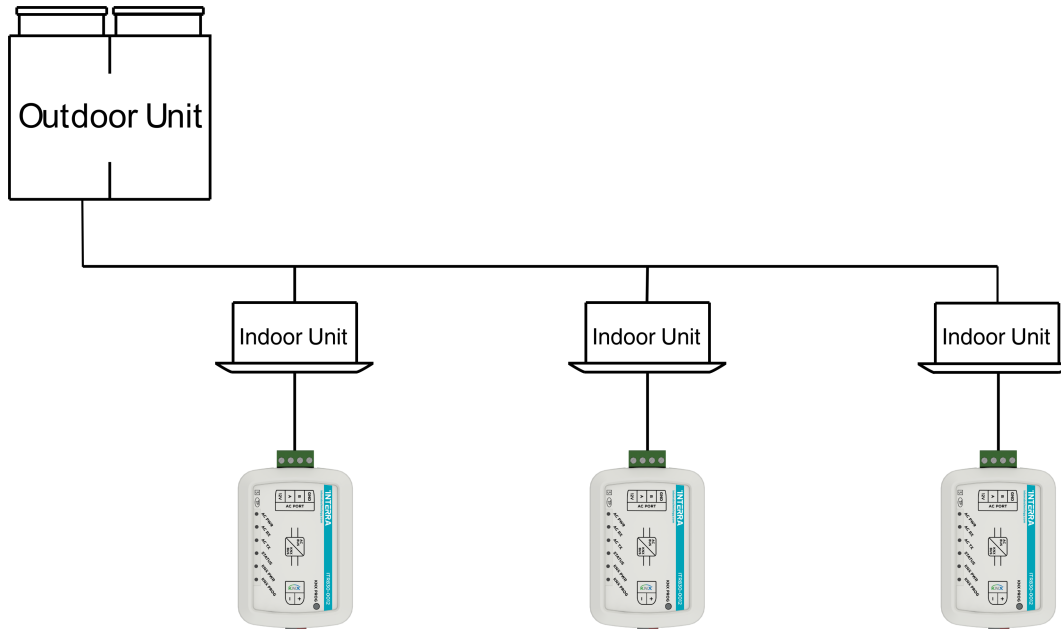


Figure 1

Gree Split AC - KNX Gateway can be connected directly to the wired remote communication bus terminal of the AC indoor unit. Nothing that needs to do in ETS software. The following figure shows the Gree Split AC - KNX Gateway connection without the remote controller. At this case the gateway's role must be master

Gateway - Single Indoor Unit + Remote Controller:

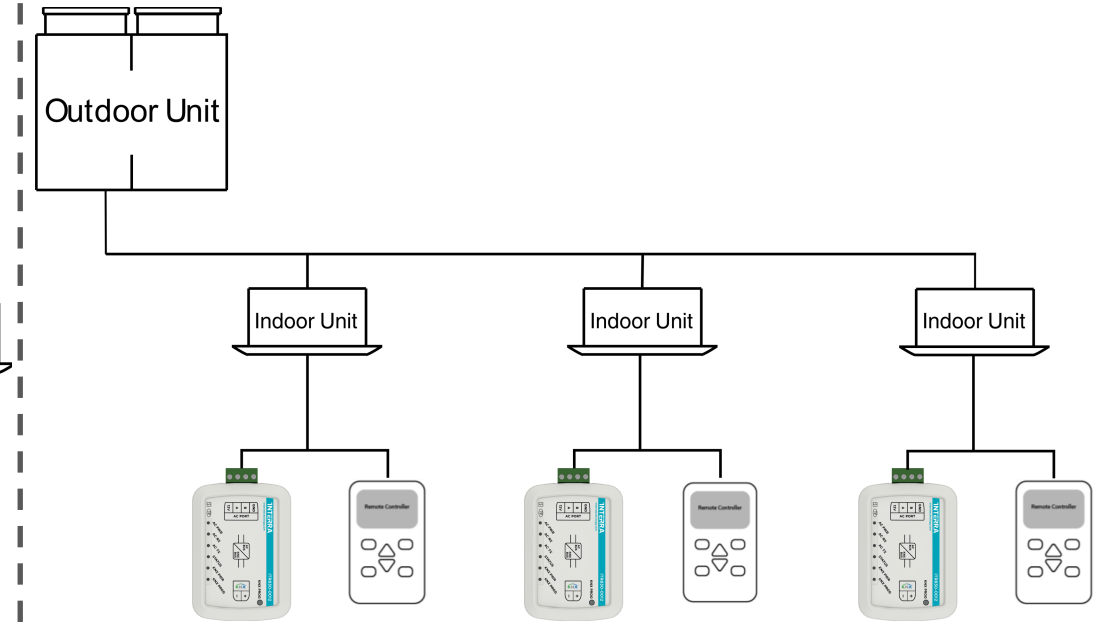


Figure 2

- The wired remote controller is optional in this configuration.
- Either one of wired controllers can be set as the master wired controller and the other as the slave wired controller
- If gateway is master, the wired remote must be slave.
- If the wired remote is master, gateway must be slave. At this case ambient temperature reference can not selected from "KNX Bus".