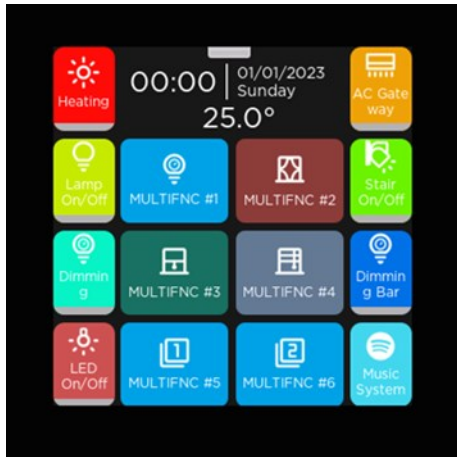


## iX3 4" KNX Touch Panel



### DESCRIPTION

Interra iX3 is a wall-mounting room controller device with an integrated temperature, humidity, brightness and air quality sensor. iX3 can be easily and clearly operated through the friendly interaction interface. The iX3 can control heating and cooling operating modes with 2-points, Continuous and PWM thermostat functions. Air conditioner control is available on iX3 and can control AC gateway devices. iX3 has fully touchable LCD screen with IPS-display technology which provides low energy cost and good view angle. The device provides an adjustable LCD backlight for user comfort. The product range has 4 different models with AQI and without AQI, iX3 is supported up to 13 languages such as Turkish, English, German, Russian, Arabic, French, Greek, Italian, Persian, Spanish, Brazilian, Dutch and Polish. All models can be programmable with the same ETS database, which provides efficient commissioning.

### MODELS AND VARIATIONS

#### ITR331 - X<sub>1</sub> X<sub>2</sub> X<sub>3</sub> X<sub>4</sub>

X<sub>1</sub>: AQI Status                      X<sub>3</sub>: Reserved

X<sub>2</sub>: Reserved                        X<sub>4</sub>: Colour

|                |   |   |
|----------------|---|---|
| X <sub>1</sub> | 0 | 2 |
| AQI            | ✗ | ✓ |

#### X<sub>4</sub>: Colours

|   |       |
|---|-------|
| 1 | Black |
| 2 | White |

|                      |  |
|----------------------|--|
| Product Code         | ITR331-XXXX  |
| Power Supply         | KNX Power Supply   |
| KNX Bus Current      | 30mA   |
| Push Buttons         | 1 x KNX Programming Button   |
| Sensors              | Temperature sensor (±0.2°C sens.)<br>Humidity sensor (±2 %RH sens.)<br>Air Quality Sensor (0-500 VOC Index)<br>Brightness Sensor (Up to 1800 Lux.) |
| Interfaces           | IPS Touch Screen   |
| Commissioning Mode   | S-Mode   |
| Type of Protection   | IP 20  |
| Temperature Range    | Operation (-5°C...45°C)<br>Storage (-20°C...60°C)  |
| Maximum Air Humidity | < 90 RH  |
| Colour               | White, Black   |
| Dimensions           | 84 x 100 x 8.6 mm (W x H x D)  |
| Certification        | KNX Certified  |
| Configuration        | Configuration with ETS   |

### MAIN FUNCTIONAL CHARACTERISTICS

- Up to 44 functions can be controlled separately.
- Up to 6 functions pages that can be controlled different functions.
- Switching, toggle, dimming, shutter/blinds controls, predetermined scenes by users, value functions that can send presented values, 2 channels control functions, step switching, music control and thermostat extension features are available.
- It can measure with integrated temperature, humidity, brightness, and air quality (depending on the model) sensors.
- Configurable and programmable external inputs as analog or digital over ETS.
- Scenes from 1 to 64 can be specified and these scenes can be implemented by request.
- Room temperature regulation can be done with 2 – Points (Hysteresis), PWM or Continuous PI control options.
- Operating modes: comfort, standby, economy and protection.
- Automatic switching between operating modes via the weekly program.
- Enhanced and extended air conditioner control functions.
- Enhanced and extended touchable LCD screen functions. The user can be configured the function pages.
- Thermostat control, AC control, Music system control, RGB or RGBW control, Dimming control, Dimming Tunable White control and Shutter/Blinds/Jalousie control etc. can be controlled on function pages specially designed for these functions.
- Home-page navigation function.
- Meter information page, sensor information page and weather information page are available. The users can track the up to 8 sensor values, up to 8 energy metering values and weekly weather information.
- Password screen is available. Up to 4 passwords can be set.
- Screen saver function is available. The users can set the screen saver. The screen saver can be digital clock. Additionally screen saver can decrease or off the backlight for energy saving.
- The users can change the screen theme via the device. Dark and light themes are supported.
- The users can change the system language via the device.
- Display time, date, temperature and humidity.
- Logic and converter functions, AND, OR, XOR, gate forwarding, threshold comparator and conversion of different data point types.

### LCD DISPLAY

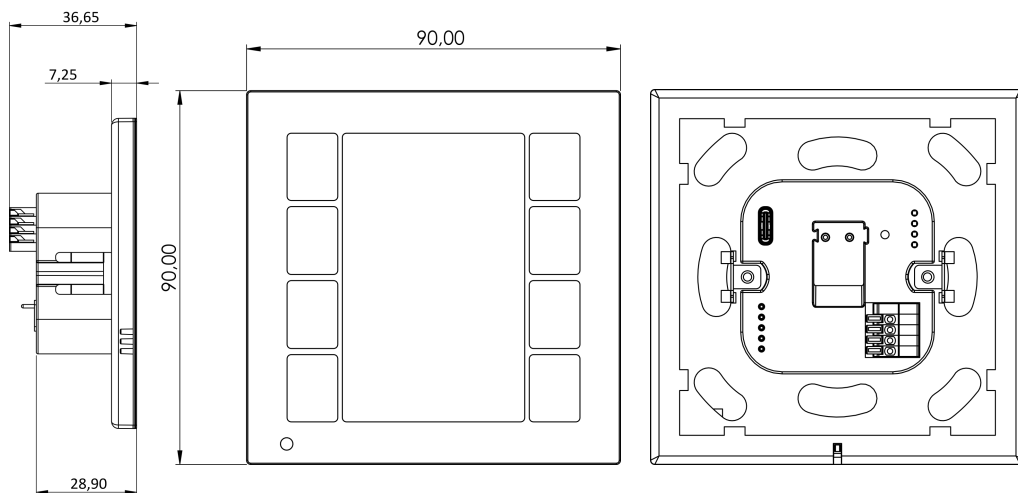
iX3 has fully capacitive touch LCD screen with IPS-display technology and 320x320 resolution for 4 inches. LCD backlight can be automatically switch down while not using the device or changeable from the bus or manually via the device.

All functions can be controlled over fully touchable LCD screen. All functions have their own screen and the users can configure the screen over ETS database.

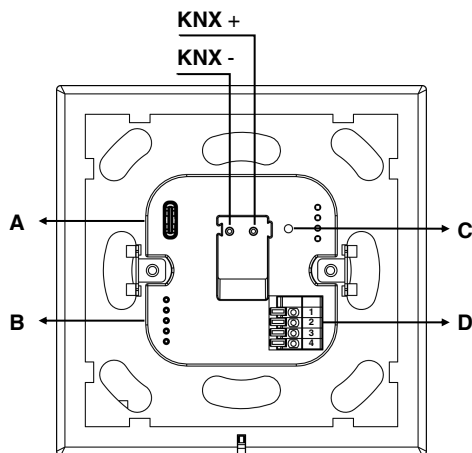
| Icon  | Meaning                | Icon | Meaning                 |
|---|------------------------|------|-------------------------|
| <b>General</b>  |                        |      |                         |
|   | Auto/Manual Brightness |      | Clean Mode              |
|   | Lock On                |      | Lock Off                |
|   | Mute                   |      | Unmute                  |
|   | Settings               |      | Brightness Error        |
|   | Thermostat Error       |      | Humidity Error          |
|   | AQI Error              |      | Proximity Error         |
|   | KNX Connection Error   |      |                         |
| <b>Room Controller (Thermostat &amp; Air Conditioner)</b> |                        |      |                         |
|   | Comfort Mode           |      | Standby Mode            |
|   | Economy Mode           |      | Protection Mode         |
|   | Auto Mode              |      | Cool Mode               |
|   | Heat Mode              |      | Heat/Cool Manual        |
|   | Heat/Cool Auto         |      | AC Error                |
|   | AC Auto Mode           |      | Dehumidify              |
|   | Fan Speed Auto         |      | Fan Speed Manual        |
|   | Swing Moving Vertical  |      | Swing Moving Horizontal |
|   | Swing Fix Vertical     |      | Swing Fix Horizontal    |
| <b>Music Controller</b>                                   |                        |      |                         |
|   | USB                    |      | SD Card                 |
|   | Aux                    |      | FM Radio                |
|   | Normal                 |      | Shuffle                 |
|   | Loop                   |      | Single Loop             |

## DIMENSIONS (mm)

All of the iX3 models, have got the same dimensions.



## CONNECTION DIAGRAM



|   |                        |
|---|------------------------|
| A | USB Port               |
| B | Upgrade Port           |
| C | KNX Programming Button |
| D | Inputs                 |

## SAFETY INSTRUCTIONS

- All Installations should only be performed by qualified personnel following applicable regulations on preventing accidents, as required by law.
- Do not connect the main voltage (230 V AC) or any other external voltages to any point of the KNX bus.
- Connecting an external voltage might put the KNX system at risk.
- Ensure that there is enough insulation between the 230 V AC voltage cables and the KNX bus.
- Do not expose this device to direct sunlight, rain or high humidity.
- Clean the product with a clean, soft, damp cloth.
- Do not use aerosol sprays, solvents or abrasives that might damage the device.
- Screw down strength is 1 Nm.

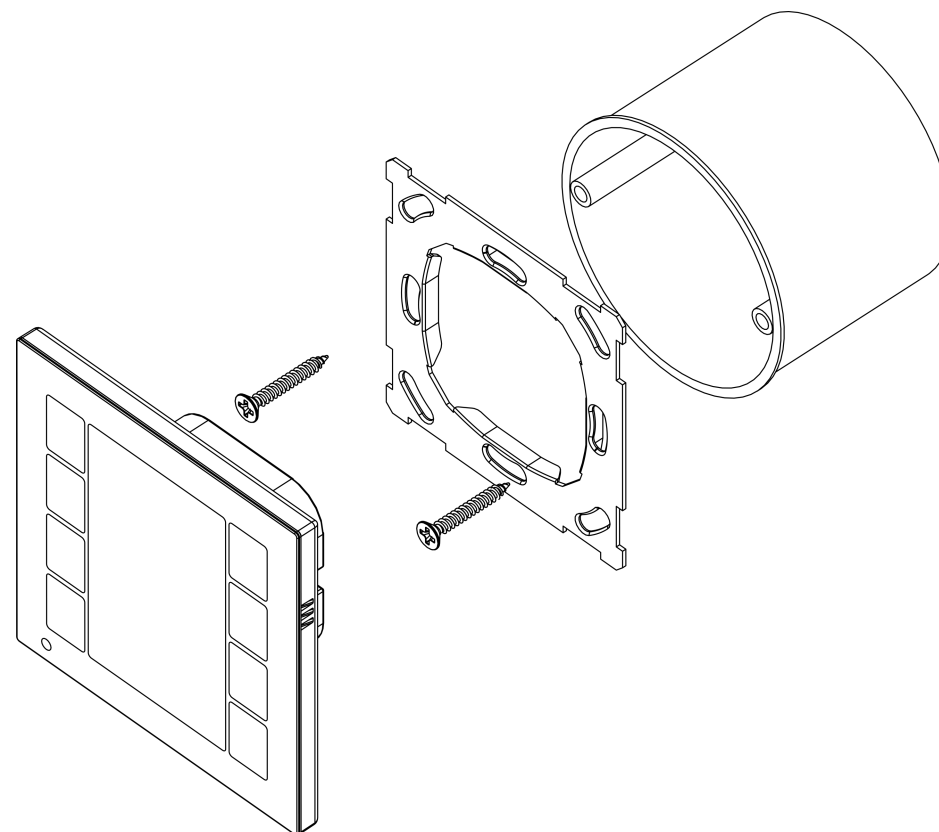
## MARKS

**CE:** The device complies with Electromagnetic Compatibility Directive (2014/30/EU), Low Voltage Directive (2014/35/EU) and Restricting the Use of Hazardous Substances Directive (2011/65/EU).

Tests carried out according to, EN 55032, EN 55035, EN 61000-4-3, EN IEC 62368-1, EN IEC 63044-3 and EN IEC 63044-5-2 standards.

## MOUNTING

The iX3's mounting steps are described below.



## Mounting

The device is suitable for use in dry interior rooms and can only be mounted on a standard-sized round or square wall flush mounting box. The iX3 should be mounted after the wall painting process is finished. Otherwise, the product's cosmetics may be damaged. The mounting steps are shown below.

- Check the mounting box, and whether is done properly
- Insert the metal frame of the iX3 into the wall flush mount.
- Connect the KNX cable, Power cable and other cables (optional) to respective terminals.
- Finally, insert the iX3 into the metal frame.