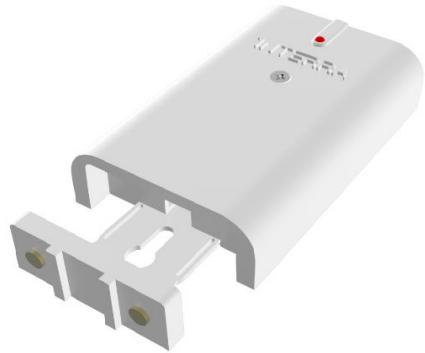


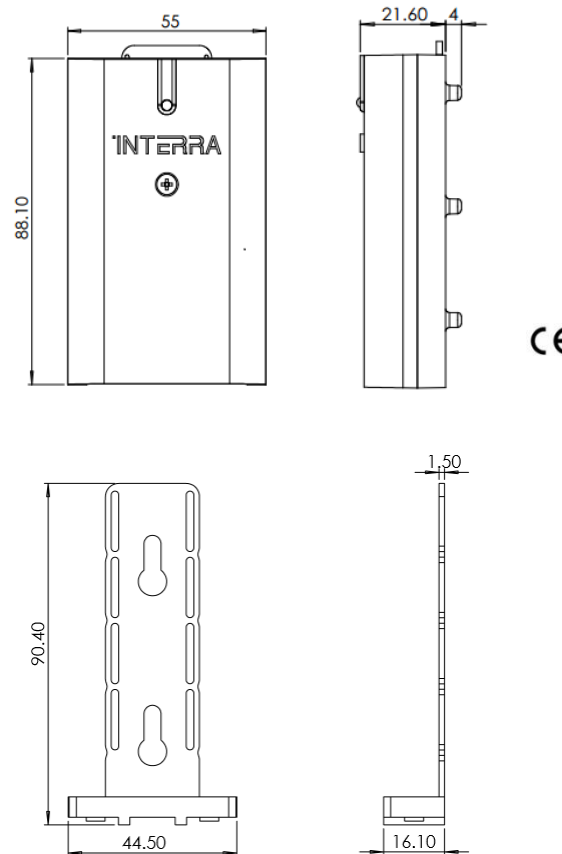
ITR400-001 – WATER FLOOD DETECTOR



DESCRIPTION

ITR400-001 flood detector is used to detect the presence of water-based liquids at any desired location such as basements, water tanks or any hidden areas where water can leak without notice.

DIMENSIONS



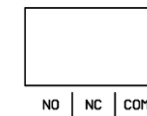
TECHNICAL DATA

Device	ITR400-001
Power supply	12V DC nominal (7V DC – 28V min/max)
Power consumption	50mA (Alarm condition, @12V DC)
LED indicators	1 x Alarm (red) / Operating (green) LED
Output current	0,5A @125V DC 1A @24V DC
Connection cable	0,25mm ² – 1,5mm ²
Type of protection	IP 20
Temperature range	Operation (-40°C...70°C)
Maximum air humidity	<90RH
Flammability	Non-flammable product
Colour	Light Grey
Dimensions	55x88,1x21,6 mm (WxHxD)

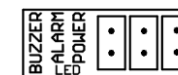
FEATURES

- Device is eligible to alert the users via buzzer, LED or relay output. Users can activate the LED or buzzer via jumpers independently.
- The LED is available for two colour status which operated inversely as green and red.
- DC supply polarity is independent.
- Over 2 years lifetime has been provided with MN21 battery (12V - 50mAh, standard battery in the market).
- Alarm detection delay selections are available. Immediate/3sec/6sec alarm delay selections exist on the device. Users can determine the delay via jumpers.
- Device has a sensing probe extends downward up to 25cm. The sensing probe operates determined alarm condition when water presence is detected.

CONNECTION DIAGRAM



NO : Normally open contact
NC : Normally closed contact
COM : Relay mutual terminal



1 : Buzzer
2 : Alarm
3 : Power



- : Immediate
1-2 : 3 sec
2-3 : 6 sec