

ITR413-001 - CONVENTIONAL WALL MOUNT PRESENCE SENSOR



Device	ITR413-001
Power Supply	220-240 VAC 50/60 Hz
Load Power Consumptions	Incandescent Lamp : max 2000W AC Halogen Lamp : max 1000W LV Halogen Lamp : max 600 W Fluorescent Lamp : max 600 W LED Lamp : max 400 W Energy Saving Lamp : max 400 W
Detection Range	360°, ϕ 7m (install height 2.5m)
Auto Off Timer Adjustment	5 sec to 30 min
Type of Protection	IP 44
Temperature Range	Operation (0°C...45°C)
Maximum Air Humidity	< 90 RH
Color	Light Grey and White
Dimensions	115x45 (Φ xH)
Configuration	Manually

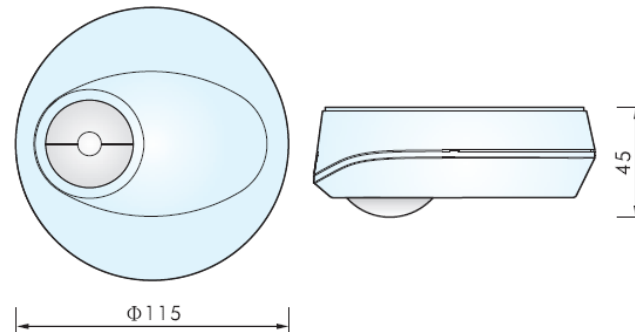
DESCRIPTION

ITR413-001 - Interra Conventional Wall Mount Presence Sensor is used to react intelligently to the presence or absence of people for providing reduced energy consumption. The conventional presence sensor can easily be integrated into your energy saving management system. Also, the conventional presence detector is used to control a wide range of lighting devices. The lighting devices can be controlled by auto mode and push button function. ITR413-001 can be used at proper location in living areas such as home, office, hotel, residence etc.

IMPORTANT NOTES

- The device may only be installed and put into operation by a qualified electrician or authorized personnel.
- Mounting Location: Installed indoors, to avoid installation near the air-conditioner vent, and be away from the heat source.
- The tightening torque shall not exceed 0.4Nm.
- Avoid contact with liquids and corrosive gases.
- Quick plug-in terminal block is used for easy and quick wiring.
- Make sure there is no short circuit or open circuit.
- Labeling for AC power and load wires.

DIMENSIONS

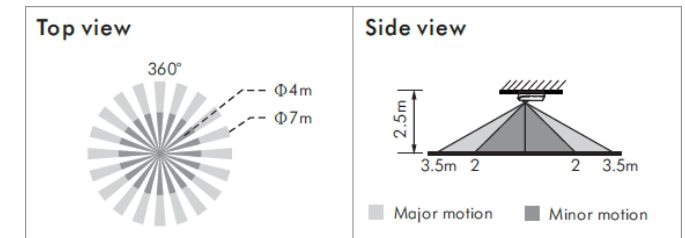


FEATURES

- ITR413-001 supports movement and LUX detection.
- Adjustable from approximately 10 Lux to ∞ and Lux learning range: 10 Lux - 2000 Lux.
- **Lighting Channel:** Incandescent Lamp; max. 2000W, AC Halogen Lamp; max.1000W, LV Halogen Lamp; max 600W (traditional), max 900W (electronic), Fluorescent Lamp; max 600W(uncompensated), LED Lamp; max.400W, Energy Saving Lamp; max 400W.
- Auto Off Time Adjustment: Adjustable from approximately 5 sec to 30 min and test.
- The sensor can be fitted into the European standard boxes.
- A red LED is equipped as an indicator for test triggering and IR setting.
- Device's powerful relay and high level technology are used to enable controlling many kinds of lighting loads.
- IR remote control is available for quick setting (Optional item: Please, contact authorities for more info).

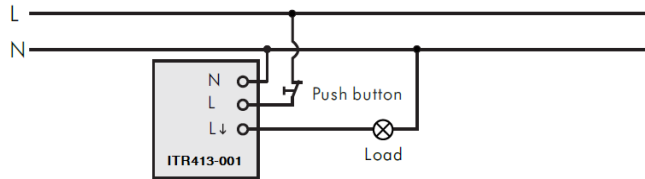
DETECTING RANGES

The sensor should be mounted a proper location at 2-3 m. The advised mounting height is 2.5m to achieve optimal detection range. The detection range can reach up to the diameter of 7m.

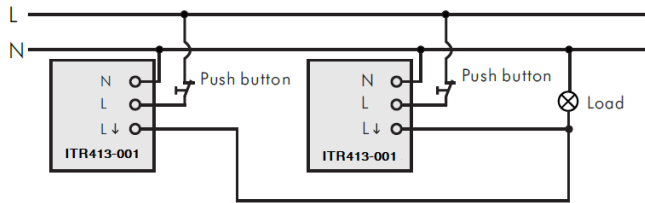


WIRING SCHEME

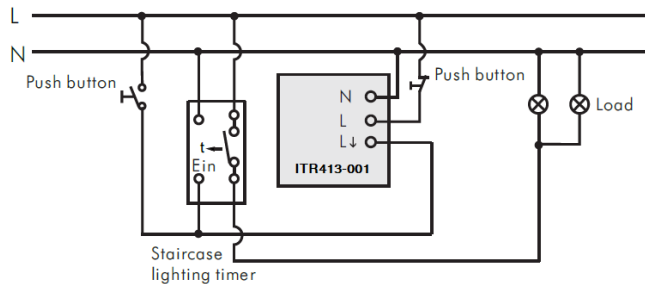
One load, one sensor:



One load, two sensor:

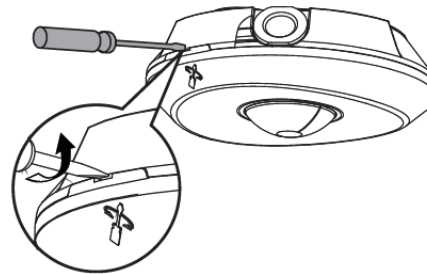


Loads, staircase lighting timer and one sensor:

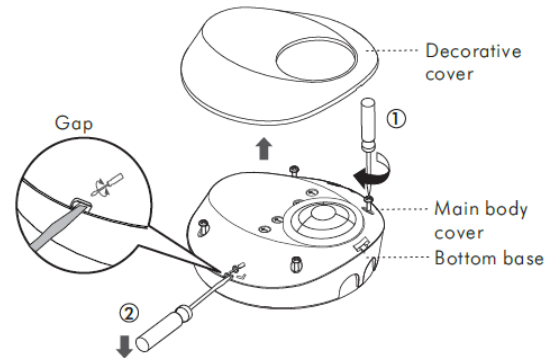


MOUNTING

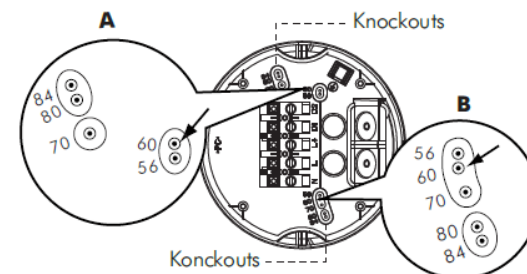
First, take off the cover with a flat tip screwdriver.



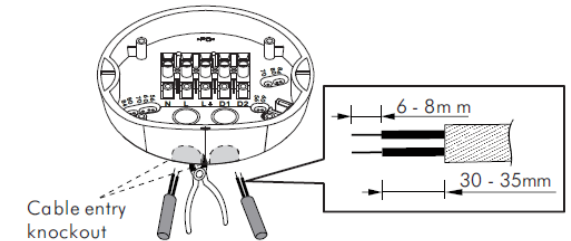
Second, screw off the 4 screws on main body cover for separating it from bottom base.



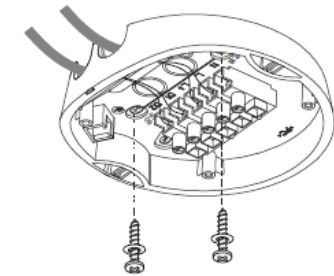
Third, for different mounting applications there are 5 pairs of screw sockets with 5 different distances : 56,60, 70, 80 and 84mm. Select two same figures for proper distance mounting.



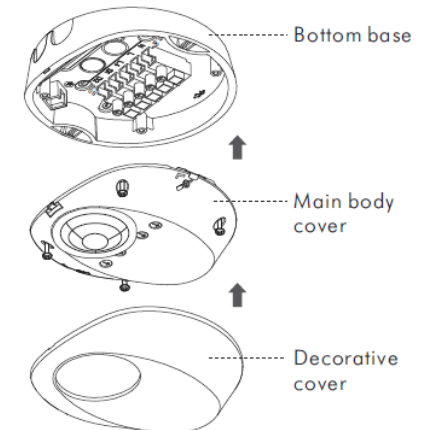
Break the cable entry knockouts from side or bottom sides with cutting pliers. After, insert cables to feed AC power. Strip off cable



Next, choose proper knockouts to fix the bottom base on the surface of ceiling board with screws.

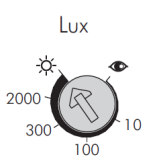
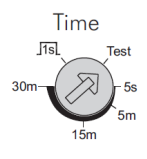
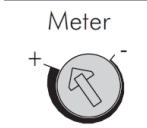


Finally, attach the main body and decorative cover to the bottom base and turn on the power supply.



OPERATIONS

Lux, Time and Meter Knob

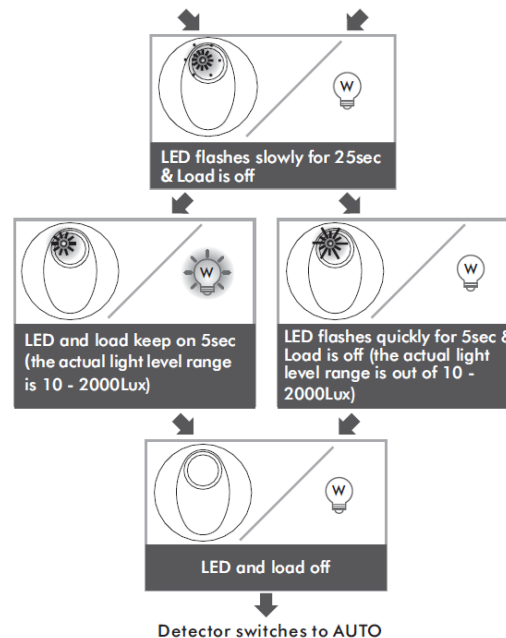
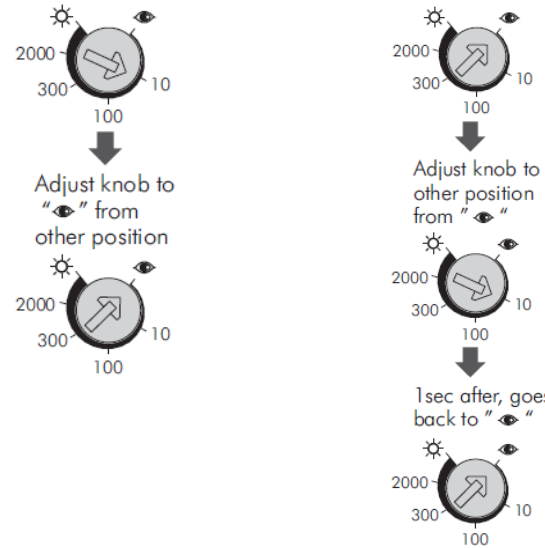
Control Knob	Function	Control Knob Setting
	Set the light value for switching on load	Range: Adjustable from approximately 10Lux to ∞. Learn: The actual ambient light level (10-2000Lux) can be read in.
	Set delay off time for lighting.	Range: Adjustable from 5 sec to 30 min. Test: Test mode (the load and red LED will be 2 sec on, 2 sec off). □ : Short impulse mode for staircase timer switch control (Load will be 1
	Set the range of sensitivity	Range: Adjustable from approximately Φ2m to approximately Φ7m.

Lux Learning Procedure

- Adjust the knob to "☞" when the ambient light level reaches to desired value.
- When the knob is set to "☞" originally, it should be adjusted to other position more than 1 sec, then goes back to "☞"
- After that load will be off. LED starts to flash slowly that indicates the sensor enters into learning mode. Within 25 seconds learning will be completed. Then, for 5 seconds LED and Load will keep on or LED flashes quickly for 5sec and load is off to confirm the learning procedure is successful.

- When the learning procedure is finished, the sensor returns to AUTO mode, LED and load being off.

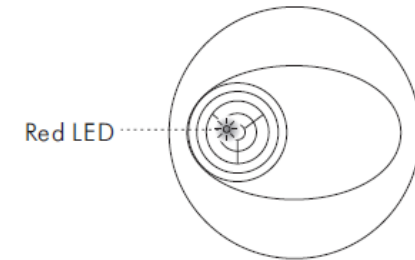
Knob is not set to originally: "☞" **Knob is set to originally:** "☞"



TEST MODE

LED Function

- Adjust the knob to when the ambient light level reaches to desired value.
- LED can be



Walk Test 's Procedure

Purpose of walk test is select a proper installation place to get the best detection range. Set meter knob to "+" and Time knob at "Test", then walk test can be conducted and the sensor is uncontrolled by Lux setting. The following shows the test procedures:

- Tester must be within the detection coverage.
- Switch on the power.
- Walk from outside across to the detection pattern. The red LED will turn on for 2 sec once the movement is detected.
- Adjust meter knob to change coverage.
- Repeat these procedures until it meets the demands.