

INTERRA

—Developer of Uniqueness—

interratechnology.com



Interra
Elevator Control Server



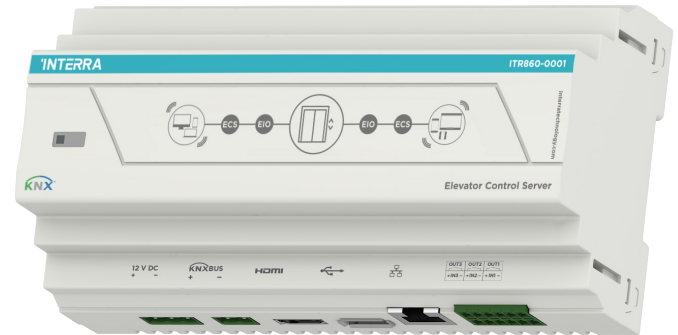
↳ Elevator Control Server

↳ The next level of smart elevator control

Interra Elevator Control Servers provides controls on your elevator via touch panels, mobile phones, or intercom devices. By sending information to the contacts on the elevator control card via Interra EIO Module or KNX Combo Actuators. In addition, it provides control over TCP/IP with other protocols.

Interra Elevator Control Servers are offered in two types as IP Based and KNX Based. The device, which works with IP-based communication, is used with the Interra Ethernet IO device for elevator control. The KNX-based device can also be used to provide control with EIO Module or Combo Actuators and to create scenarios in the same line with different KNX devices such as KNX Sensors.

It has an embedded NodeRed application and it provides unlimited scenario definitions by using the drag & drop system. It is compatible with all elevator systems with access to the elevator control card, regardless of brand. One of the biggest advantages of the device is that it provides mobile control via Interra touch panels.



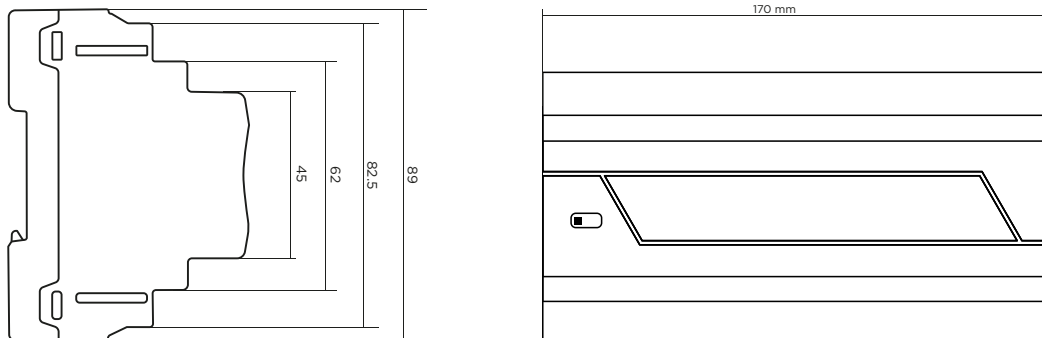
Elevator Control Server

Technical Specifications

Product Code	ITR870-0001 / ITR870-1001
Power Supply	12 V DC Power Supply
CPU	ARM Cortex A7 Dual - Core 2x1.2 GHz
Memory	1 GB DDR3
Storage	8 GB EMMC
OS	Android
Temperature Range	Operation (-20°C...70°C) Storage (-35°C...100°C)
Network	100 Mbps Ethernet and USB WiFi
RTC	System includes RTC with CR1220 battery
Dimensions	170 x 65 x 90 mm (W x H x D)



Technical Drawing



*All values given in the device dimensions are millimetres

Elevator Control Server Series



Elevator Control Server (KNX TP)

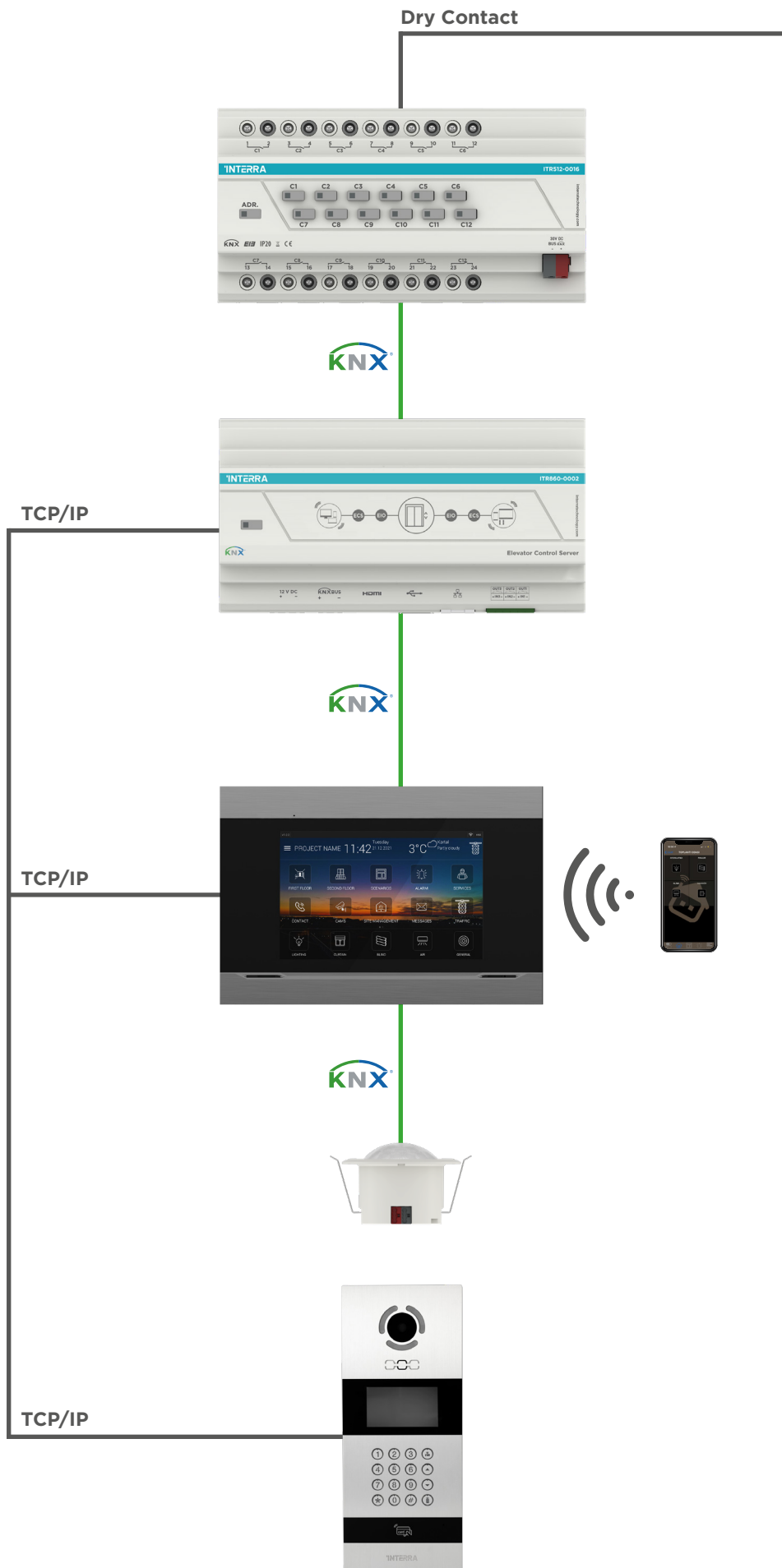
Product Code	Dimensions (W×H×D)	Notes
ITR860-0002	170 x 65 x 89 mm	KNX TP & TCP/IP Version



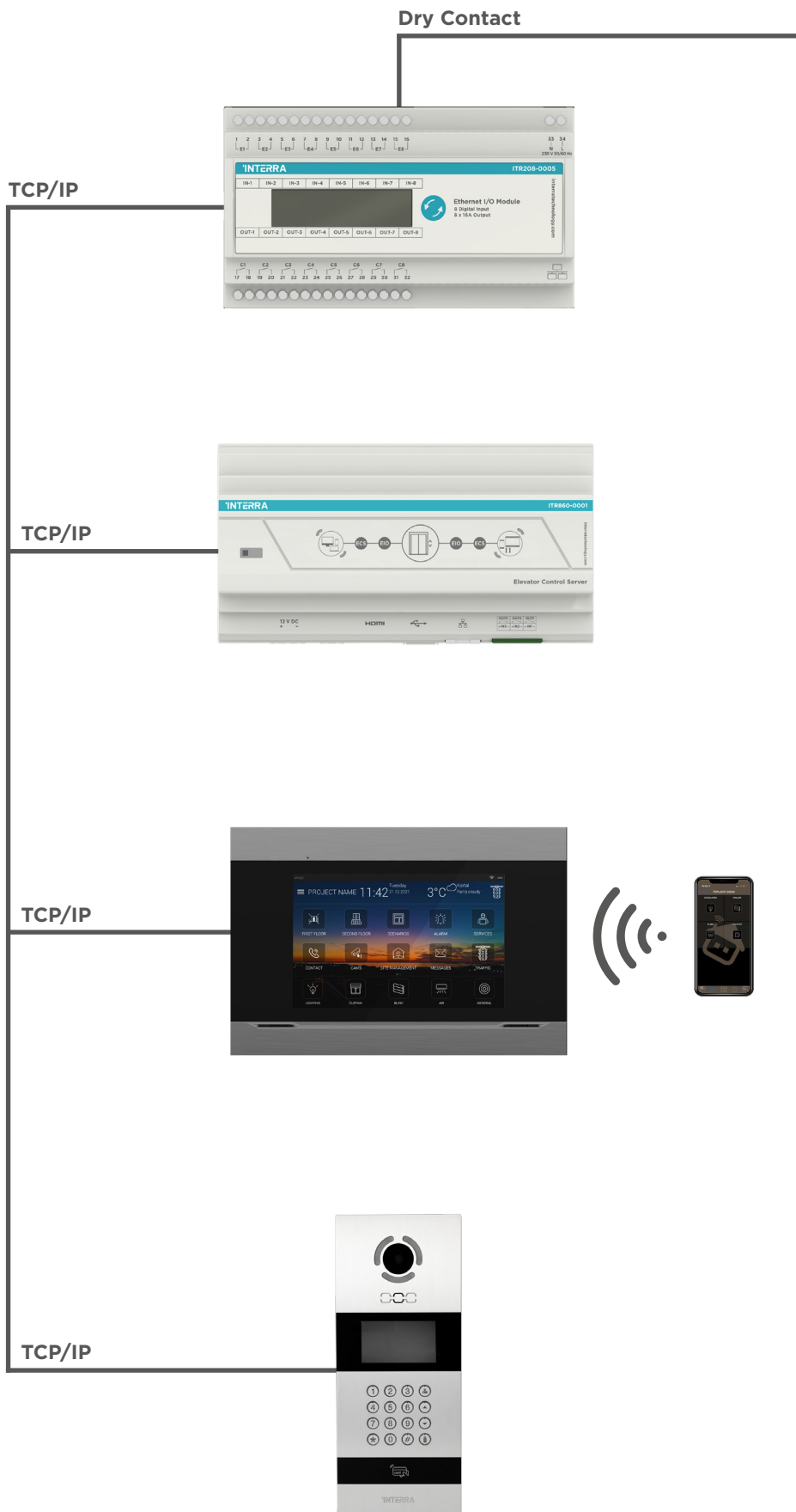
Elevator Control Server (TCP / IP)

Product Code	Dimensions (W×H×D)	Notes
ITR860-0001	170 x 65 x 89 mm	TCP/IP Version

KNX / TP Connection Diagram



TCP / IP Connection Diagram

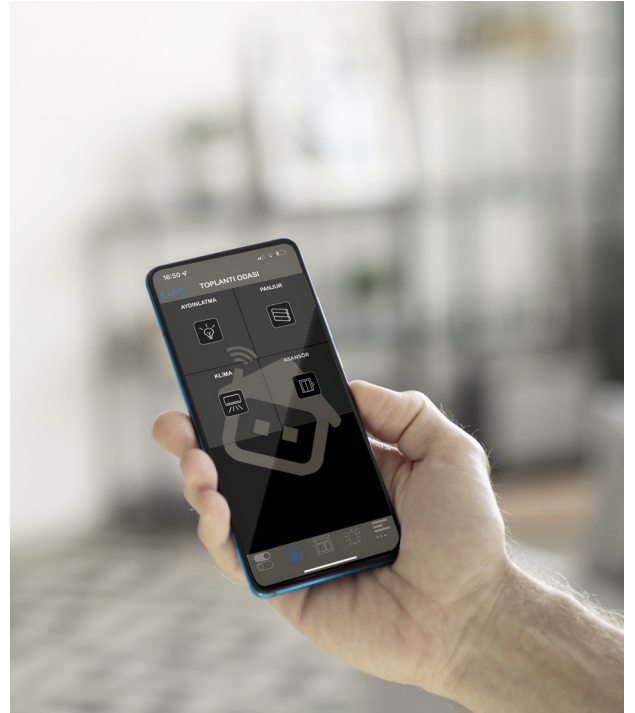


↳ Customizable Scenario Options



↳ Access Control Scenario

When the cards are read to the turnstile or intercom, the elevator is automatically called to your floor.



↳ Mobile Control Scenario

InterraPro app provides mobile control on your elevator.



↳ Control with Web Interface

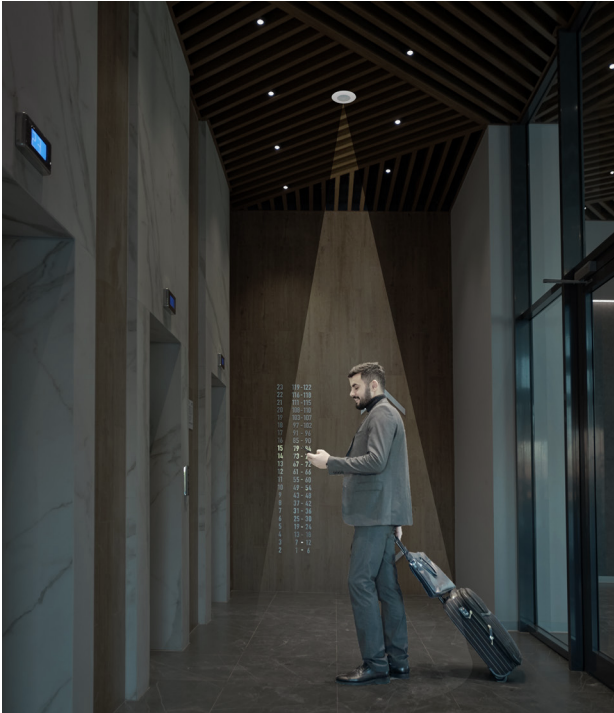
Hotel reception or site management can control the elevators via the web interface.



↳ Face Recognition

Intercom devices with face recognition can call the elevator without any touch.

Customizable Scenario Options



Presence Detection

With KNX Sensors, an elevator can be called automatically to the floors where the presence is detected.



Emergency Scenario

In case of any malfunction in the elevator or a natural disaster, the elevator can be disabled remotely.



Check-In Scenario

As soon as you check in at the reception, the elevator arrives at the reception floor and can take the guests up to their floor without touching anything.



Good Bye Scenario

Before leaving your floor, you can call the elevator to your floor by activating the exit scenario via Interra touch panels.



Interra KNX
Product Catalogue
Scan for pdf version.

