

# 'INTERRA

—Developer of Uniqueness—

## Outdoor Intercom Unit with Linux OS

### Product Manual



## CONTENTS

1. CONTENT OF THE DOCUMENT.....	5
2. PRODUCT DESCRIPTION.....	6
2.1. Technical Information .....	7
2.2. Connection Diagram & Features .....	8
2.3. Troubleshooting .....	14
2.4. Safety Instructions .....	15
3. BASIC OPERATIONS.....	17

Information contained in this publication regarding device applications and the like is provided only for your convenience and may be superseded versions by updates. It is your responsibility to ensure that your application meets your specifications.

INTERRA MAKES NO REPRESENTATIONS OR WARRANTIES OF ANY KIND WHETHER EXPRESS OR IMPLIED, WRITTEN OR ORAL, STATUTORY OR NONSTATUTORY, RELATED TO THE INFORMATION INCLUDING BUT NOT LIMITED TO ITS CONDITION, QUALITY, PERFORMANCE, MERCHANTABILITY OR FITNESS FOR PURPOSE.

Interra disclaims all liability arising from this information and its use. Use of Interra devices in life support and/or safety applications is entirely at the buyer's risk, and the buyer agrees to defend, indemnify and hold harmless Interra from any damages, claims, suits, or expenses resulting from such use. No licences are conveyed, implicitly or otherwise, under any Interra intellectual rights.

## Trademarks

The Interra name, logo and the Interra ITR640-0001 & ITR641-0001 Outdoor Intercom Units with Linux OS devices are registered trademarks of Interra Technology in Turkey and other countries.

All other trademarks mentioned herein are property of Interra Technology.

© 2022, Interra, Printed in Turkey, All Rights Reserved.



Printed on recycled paper.

**TS EN ISO 9001:2008**

---

## TO OUR CUSTOMERS

---

One of our most important aims is to provide you with the best documentation possible to use successfully your Interra products. Focusing on this, we will keep on improving our documentation to better suit your needs. Our publications will be updated as new volumes as soon as changes are introduced.

If you have any questions or comments regarding this publication, do not hesitate to contact us:

E-mail: [info@interra.com.tr](mailto:info@interra.com.tr)

Tel: +90 (216) 326 26 40 Fax: +90 (216) 324 25 03

### Most Current Product Manual

To obtain the most up-to-date version of this product manual, please visit our Web site at:

<http://www.interratechnology.com>

You can determine the version of an Interra document by examining its literature number found on the bottom right corner of any page.

The first two letters of the literature are the type of document. The numbers that follow are the creation date of the document and the last letter is the version (e.g., PM181017001A is version A of a product manual created on the date 17/10/18).

## **1. Content of The Document**

This document contains Interra brandmark's ITR640-0001 & ITR641-0001 – Outdoor Intercom Unit with Linux OS coded devices' electronic and all essential feature information for programming these products. In each subtitle is explained the characteristics of the device. Modifications of the product and special change requests are only allowed in coordination with product management.

## 2. Product Description

ITR640-0001 & ITR641-0001 are Outdoor Intercom Unit with Linux OS that is mainly used for making interacting with the related indoor intercom unit such as indoor monitor. ITR640-0001 & ITR641-0001 products features are described below :

- **Application:** The outdoor panel is based on TCP/IP communication protocol, supporting digital video intercom and SIP communication protocol.
- **Operating System:** ITR640-0001 & ITR641-0001 outdoor intercom unit's operating system is Linux.

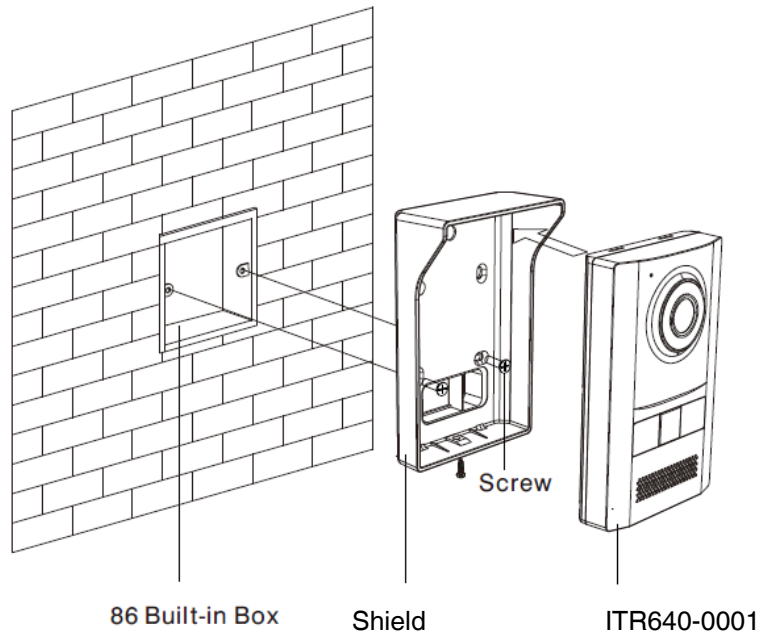
## 2.1. Technical Information

The following table shows the technical information of the ITR640-0001 & ITR641-0001 Outdoor Intercom Unit with Linux OS.

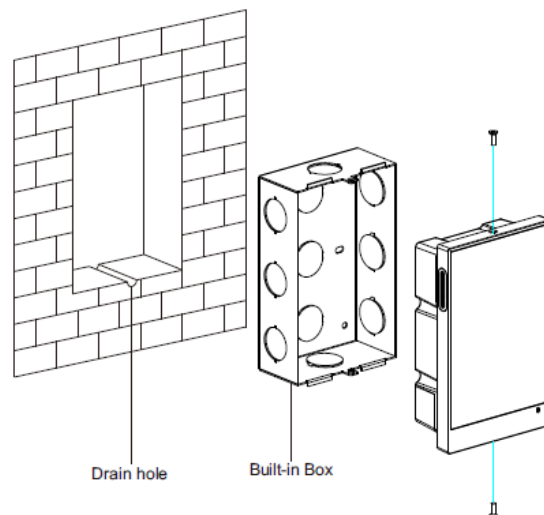
Product Code	ITR640-0001	ITR641-0001
<b>Power Supply</b>	DC 12 V POE	DC 12 V POE
<b>Power Consumption</b>	1.5 W (Standby) 3 W (Rated)	1.5 W (Standby) 3 W (Rated)
<b>CPU</b>	1 GHz	1 GHz
<b>SD Ram</b>	64 MB DDR2	64 MB DDR2
<b>Ethernet</b>	10M / 100 Mbps	10M / 100 Mbps
<b>Video Codec</b>	H.264	H.264
<b>Audio Codec</b>	G.711U, G.711A	G.711U, G.711A
<b>Camera</b>	1 MP CMOS	1/4 MP CMOS
<b>Camera Resolution</b>	1280 x 720	1280 x 720
<b>Night Vision</b>	LED Night Vision	LED Night Vision
<b>Flash</b>	128 Mb	128 Mb
<b>Reader</b>	10,000 IC/ID Cards	10,000 IC/ID Cards
<b>Lock Control</b>	1x	1x
<b>RS 485</b>	1x	1x
<b>Exit Button</b>	1x	1x
<b>Type of Protection</b>	IP 55	IP 65
<b>Temperature Range</b>	Operation (-5°C...55°C) Storage (-10°C...70°C)	Operation (-5°C...55°C) Storage (-10°C...70°C)
<b>Maximum Air Humidity</b>	< 90 RH	< 90 RH
<b>Colour</b>	Light Grey, Black	Black, Gold
<b>Dimensions</b>	111 x 170.5 x 38.6 mm (W x H x D)	99,5 x 160 x 47 mm (W x H x D)
<b>Configuration</b>	via Web Page	via Web Page

## 2.2. Connection Diagram & Features

The following diagram shows how to mount the device on a proper surface. For doing a reliable and accomplished installation, screw-down strength is less than 0.4 Nm. Once the device installation is completed, please check the connection and if needed please re-tighten the screws.



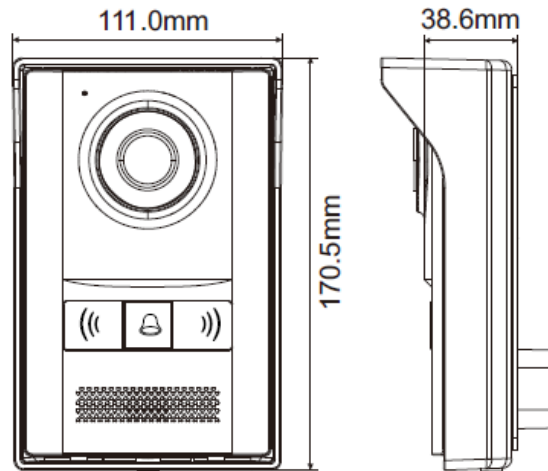
**Fig. 1:** Connection Diagram of ITR640-0001 Outdoor Intercom Unit



**Fig. 2:** Connection Diagram of ITR641-0001 Outdoor Intercom Unit

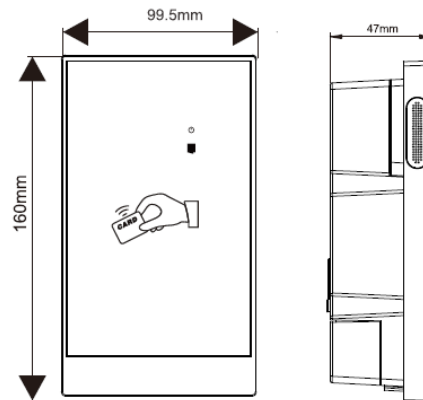


The following figure, shows the appearance dimension drawing of the Outdoor Intercom Units :



Product size: 170.5\*111\*38.6mm

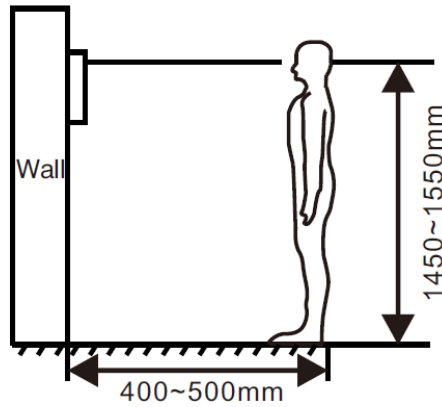
**Fig. 3:** Dimension Diagram of ITR640-0001 Outdoor Intercom Unit



Product size: 160x99.5x47mm  
 Built-in box size: 151x94x45mm  
 Trepanning size: 153x96x50mm

**Fig. 4:** Dimension Diagram of ITR641-0001 Outdoor Intercom Unit

The following figure, shows the proper location of the installation :



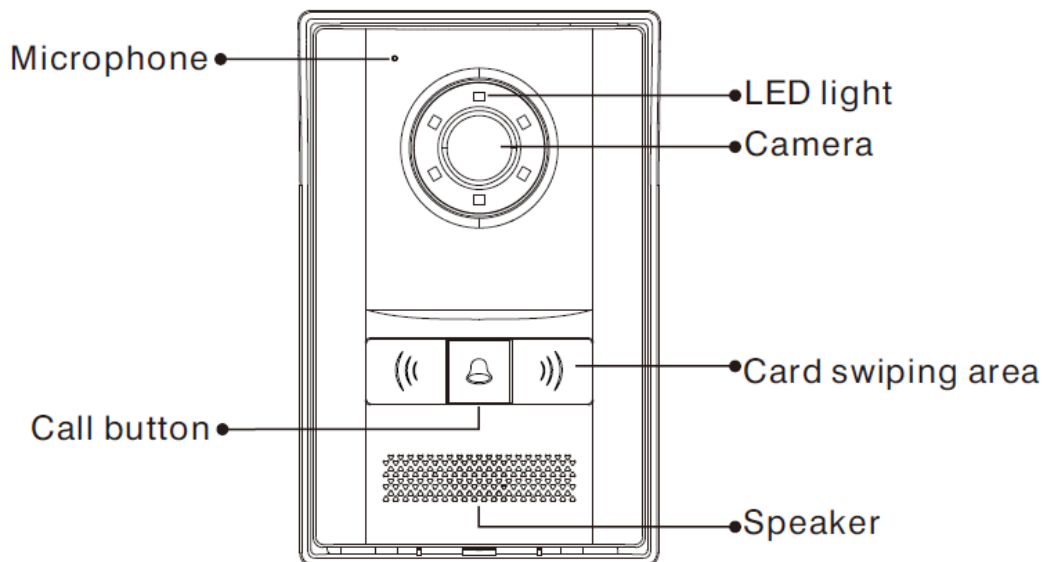
**Fig. 5:** A proper location for installation (varies from person to person)

### Recommended



During the installation, the camera should be 1450-1550 mm above the ground. The camera tether for photographing the human face should be the top priority.

### General :



**Fig. 6:** General Look of the ITR640-0001 Indoor Monitor

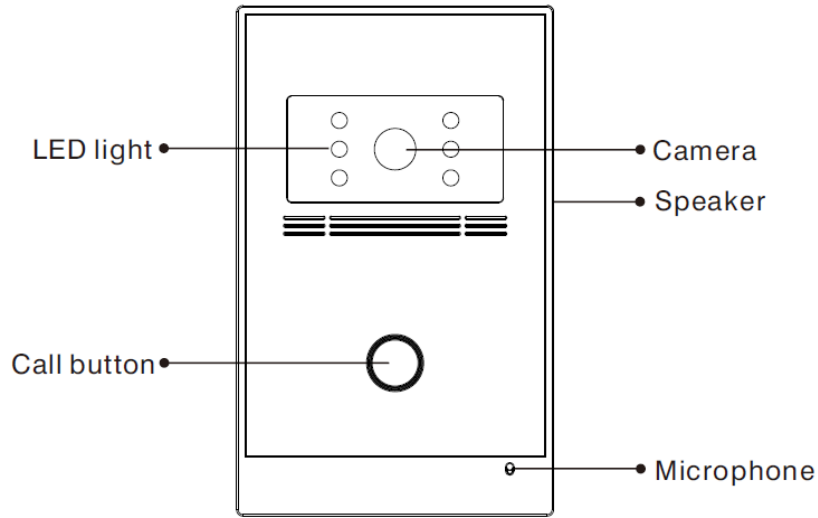


Fig. 7: General Look of the ITR641-0001 Indoor Monitor

**System Diagram:**

The following figure shows the connectors of the ITR640-0001.

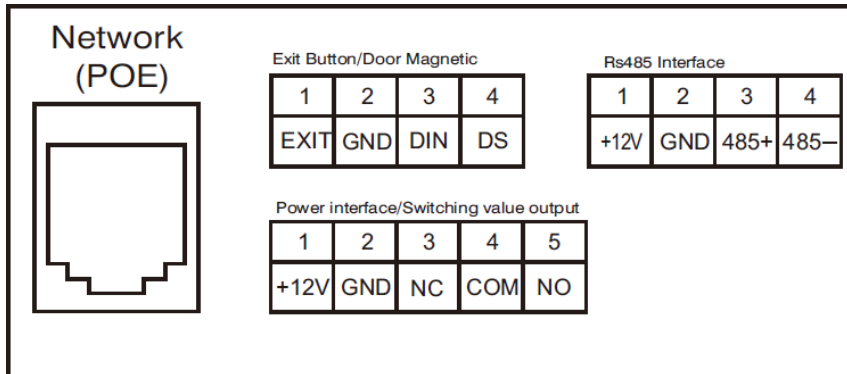


Fig. 8: Connectors of the ITR640-0001

The following figure shows the connectors of the ITR641-0001.

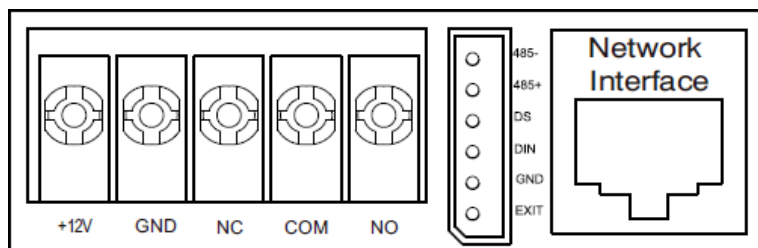


Fig. 9: Connectors of the ITR641-0001

**Power / Unlock Signal Output:**

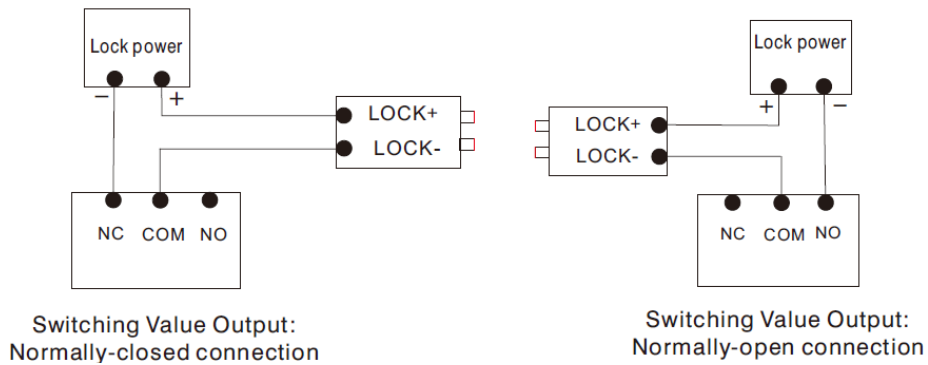
The power input interface connects with a 12 V DC power adapter. The wiring diagram is as follows:



**Fig. 10:** Power input connections

**Switching Value Output:**

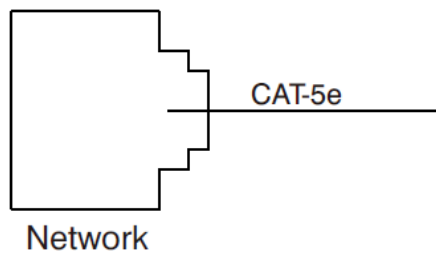
It provides a contact signal of switching value and needs, an independent power supply for the lock. The electric lock can be connected in two ways including a normally-open connection and a normally-closed connection. The wiring diagram is as below:



**Fig. 11:** Switching Value Output connections

**Network:**

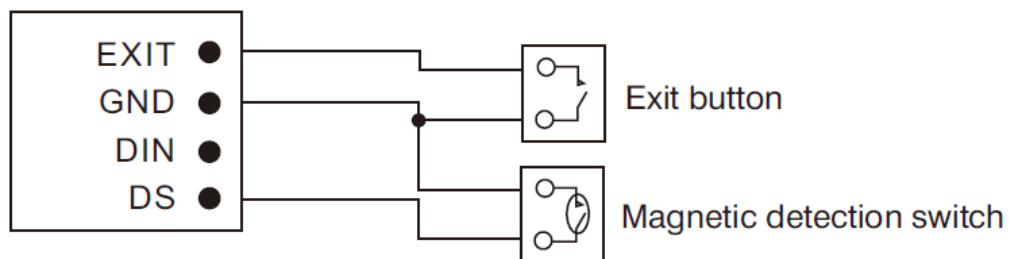
Connect to the management centre, indoor monitor or another network device through the network switch.



**Fig. 12:** Network cable connection

***Exit Button/Door Magnetic Switch:***

Connect with the Exit button and door magnetic switch; DIN is a reserved terminal, please don't connect it.



**Fig. 13:** Exit Button/Door Magnetic interface pin connection

## 2.3. Troubleshooting

Some common failures and troubleshooting methods are listed for your reference. In case of failure which cannot be repaired, do not disassemble or repair the product by yourself. Please contact the after-sales technical service department.

When the outdoor panel fails to call the indoor monitor:



**When setting the villa outdoor panel, please make sure building No. and unit No. of the outdoor panel are the same as the ones of the indoor monitor.**



**Please check whether the network is connected.**



**Please check if there are any security settings for the network, such as VLAN configuration.**







**The indoor monitor cannot be set as a sub-device only. The main device is required.**








## 2.4. Safety Instructions

To protect you and others from harm or protect your device from damage, please read the following information before using your device.

### Do not install equipment in the following areas:

-  Do not install equipment in high temperatures, or humidity, near the magnetic field, such as generators, transformers or magnets etc.
-  Do not place the equipment near the heating items such as the electric heater or the liquid container.
-  Do not place the device directly in the sun or near the heat source, which may cause the body to be discoloured or deformed.
-  Do not install the equipment in an unstable position to avoid property losses or personal injury caused by the falling of the device.

### Prevent electric shock, fire and explosion

-  Do not use a damaged power cord, plug or loose outlet.
-  Do not touch the power cord with wet hands or unplug the power source by pulling the power supply.
-  Do not bend or damage the power cord.
-  Do not touch the device with wet hands.
-  Do not let the power slide, or cause a collision.
-  Do not use the power supply without the manufacturer's approval.
-  Do not splash water or other liquids into the equipment.

## **Clean Device Surface**



Use a soft cloth dipped in a small amount of water to clean the surface of the machine and dry it with a dry cloth.

## **Other Matters Needing Attention**



To prevent damage to the paint or housing, do not expose the device to chemical products, such as thinner, gasoline, alcohol, insect repellent, sunscreen, pesticides, etc.



Do not disassemble, refit or modify the device at your discretion. The arbitrary modification is not covered under warranty. When any repair is required, please contact the customer service centre.



When the device emits abnormal sounds, smells or smoke, unplug the power immediately and contact the customer service centre in time.



If you do not use the device for a long time, it is recommended to unplug the power adapter, take out the memory card and put the device in a dry environment.



Do not beat or hit the device with a hard object.



### 3. Basic Operations

#### **Call indoor monitor:**

In standby mode, press the call button on the outdoor panel to call the indoor monitor. During the call, press the call button on the outdoor panel again to end the call. If the call fails or the indoor monitor is busy, the outdoor panel will emit a beep.

#### **Unlocking by card:**

Put the registered IC/ID card in the card reader area of the outdoor panel. If ID/IC card has been authorized, after unlocking the door by card, the system will issue a voice message that “the door has been opened”, otherwise it will emit a beep.

#### **Unlocking by access password:**

In standby mode, enter “unlocking password +#”. After unlocking, the system will issue a voice message that “the door has been opened”, otherwise it will emit a beep (for the C3 digital keypad model).

---

---

**CONTACT INFORMATION**

---

**THE INTERRA WEBSITE**

Interra provides documentation support via our website [www.interratechnology.com](http://www.interratechnology.com). This website is used as a means to make files and information easily available to customers. Accessible by using your favourite Internet browser, the website contains the following information:

- Information about our products and projects.
- Overview of Interra company and values.
- Product Support: Datasheets, product manuals, application descriptions, latest software releases, ETS databases and archived software.

**EUROPE, Turkey**

Interra

Cumhuriyet Mah. Kartal Cad. Interra R&D Center

No: 95/1 Kartal/İstanbul

Tel: +90 (216) 326 26 40 Fax: +90 (216) 324 25 03

Web adress: <http://www.interratechnology.com>