

Indoor Intercom Panel Unit with Linux OS



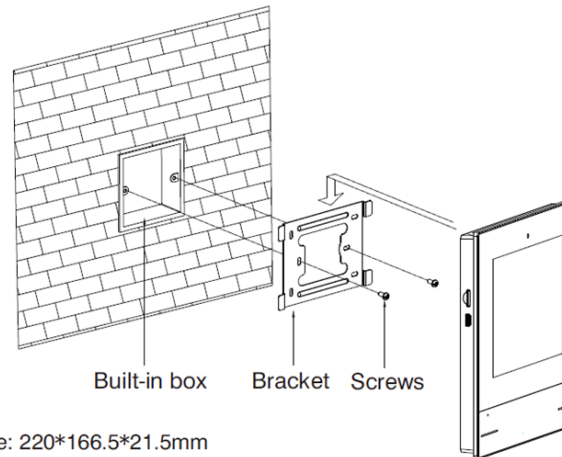
Product Code	ITR660-0001
Power Supply	12 V, PoE
Rated Power Consumption	9 W
Standby Power Consumption	1.5 W
Display Screen	7" TFT LCD Screen
Touch Screen	Capacitive Touch Screen
Communication	TCP/IP, SIP, VOIP, RTSP
Operating System	Embedded Linux
CPU	Arm cortex-A7 1.2 GHz
Memory	64 MB SD Ram, 128 MB Flash
Buttons	5 Buttons : Answer, Reject, Call, Camera Monitoring and Unlock
Type of Protection	IP 30
Temperature Range	Operation (-5°C...55°C) Storage (-10°C...70°C)
Maximum Air Humidity	< 90 RH
Material	Acrylic Panel + ABS Casing
Colour	Black
Dimensions	220 x 166.5 x 21.5 mm (W x H x D)
Configuration	via Webpage

DESCRIPTION

ITR660-0001 is an Indoor Panel Unit with a Linux OS panel that is mainly used for making interacting with the related outdoor intercom unit. It can be connected to Interra outdoor intercom devices for audio and video communication also unlocking and monitoring features. With these functions, residents can enjoy crystal clear audio communication, can check the call records and unlock the door remotely. Besides, the ITR660-0001 indoor panel supports 8 different alarm zones with three different scenario setups. The black housing is quite proper to align with the interior design of the home.

In addition, the ITR660-0001 delivers the ultimate touch screen experience in a space-saving design featuring an amazing 7" with capacitive touch feature. It complies with SIP, VOIP standard for easy integration in every SIP, VOIP capable device.

INSTALLATION

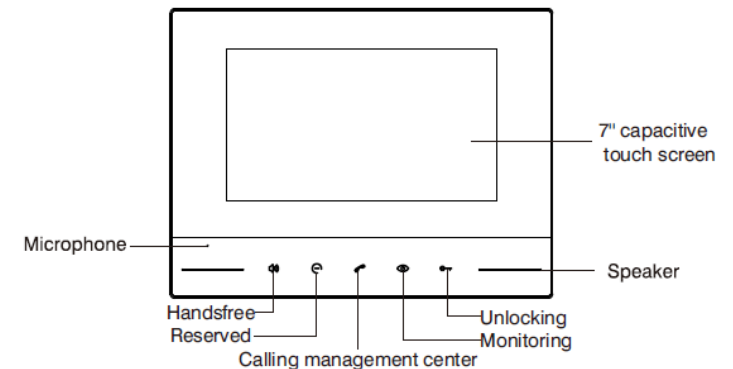


FUNCTIONS

ITR660-0001 is an Indoor Panel Unit with a Linux OS panel that is mainly used for making interacting with the related outdoor intercom unit. ITR660-0001 product features are described below :

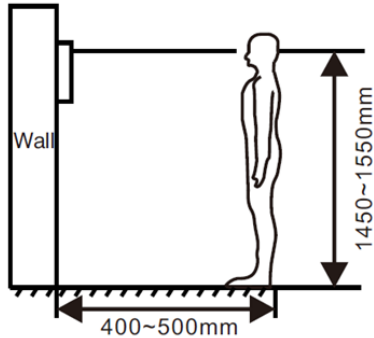
- **VOIP:** Support video call, camera monitor, unlock, VOIP communication and check the call records.
- **Security:** It supports 8 different regions with 3 different scenarios.
- The operating system is Linux.
- Viewing the outdoor intercom unit camera.
- **5 Touch Buttons:** Answer, Reject, Call, Camera Monitor and Unlock.
- User interface customization.

GENERAL FEATURES



CONNECTION DIAGRAM & FEATURES

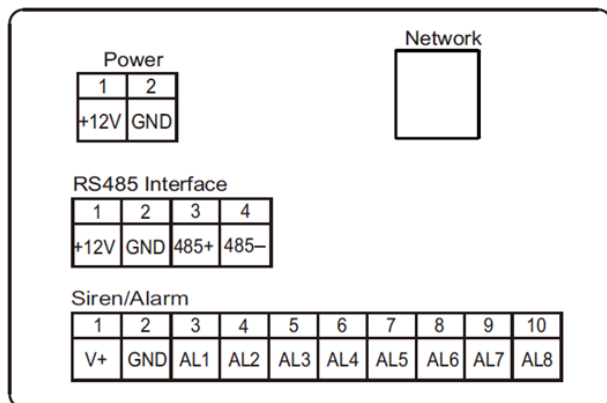
The following figure, shows the proper location of the installation :



! During the installation, the camera should be 1450-1550 mm above the ground. The camera tether for photographing the human face should be the top priority.

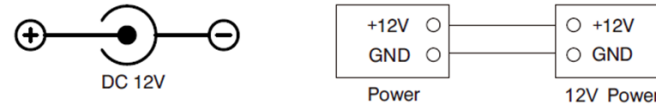
System Diagram:

The following figures show the connectors of the ITR660-0001.



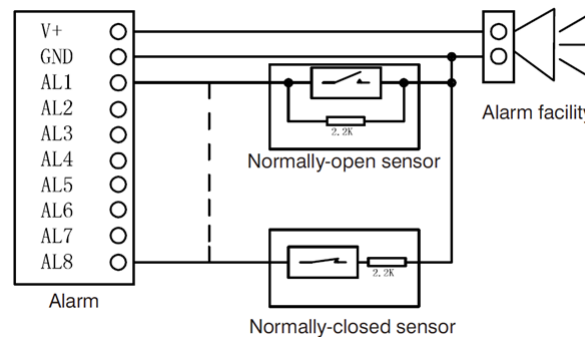
Power:

Power input interface connects with 12 V power adapter. The following figure shows the connection diagram.



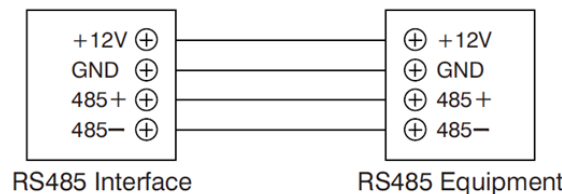
Siren/Alarm:

When the alarm sensor is triggered, the output power is 12 V / 100 mA. Each interface of the alarm zone can be connected with a normally open or normally-closed switch.



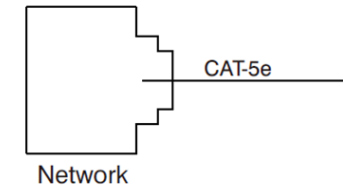
RS-485:

Connect with RS-485 device; RS-485 interface can output 12 V / 100 mA power supply. If RS-485 equipment to be connected does not require the power supply, no need to connect +12 V.



Network:

Connect with the outdoor panel, indoor monitor or other network equipment by the network switch. When an indoor monitor has a PoE function, the interface can supply power by connecting with a PoE network switch. If the network interface has a 12 V power supply, pin No. 4 and 5 of the RJ45 interface should connect with +12 of the power interface, and pin No. 7 and 8 should connect with GND of the power interface.



TROUBLESHOOTING

Some common failures and troubleshooting methods are listed for your reference. In case of failure which cannot be repaired, do not disassemble or repair the product by yourself. Please contact the after-sales technical service department.

The indoor monitor cannot start up or power off automatically.



- Check whether it has a power failure, and power it on again.

The indoor monitor display screen is too dim.



- Check whether the brightness and contrast settings of the screen are correct.

No sounding during the communication.



- Check whether the indoor monitor is set as mute mode, or the volume is set to the lowest value.

The indoor monitor cannot monitor the outdoor panel.



- Another user is using the system, so you can use it once he finished the operation.